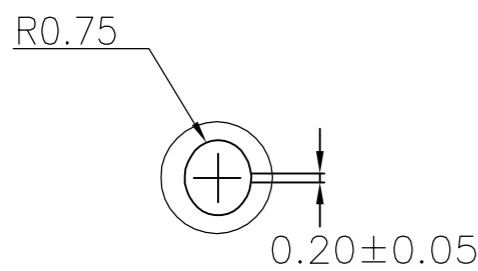
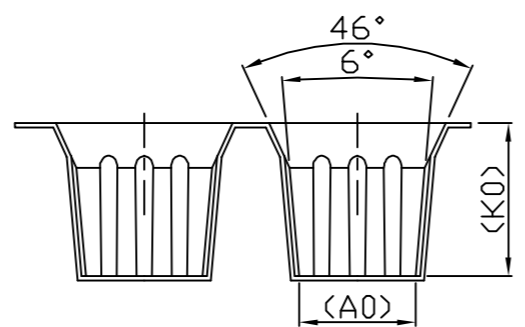
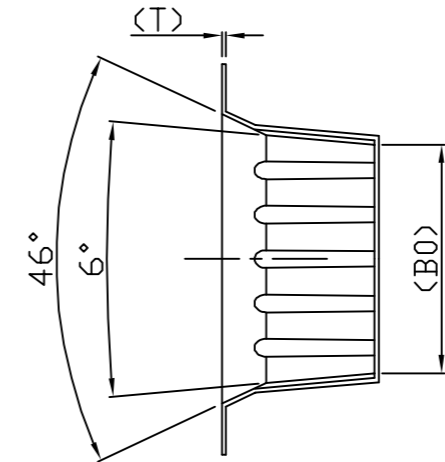
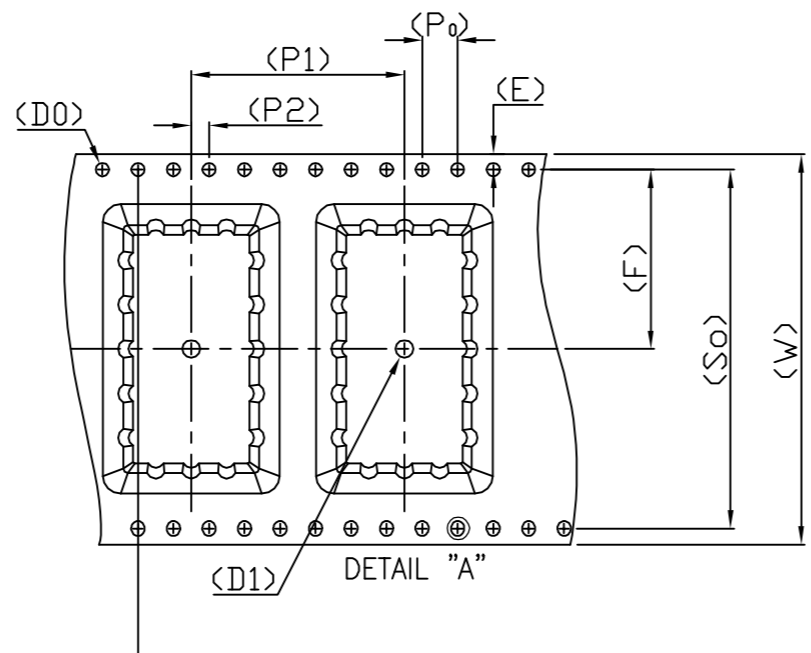


PROPRIETARY, CONFIDENTIAL and/or TRADE SECRET MATERIAL -- NOT OPEN TO PUBLIC. DO NOT SCAN, COPY OR DISTRIBUTE WITHOUT WRITTEN AUTHORIZATION FROM ARTESYN EMBEDDED TECHNOLOGIES, INC.
 ©2014 ARTESYN EMBEDDED TECHNOLOGIES, INC. ALL RIGHTS RESERVED
 This document, and the information it contains, are the property of ARTESYN EMBEDDED TECHNOLOGIES, INC. and are protected by law. Both must be held in strictest confidence at all times.
 No license or right to copy, use or disclose this document, or the information it contains, is granted either expressly or by implication.



DETAIL: "A"(S=5/1)



EIA DIMENSIONS	
W	44.00±0.30
E	1.75±0.10
F	20.20±0.15
P ₁	24.00±0.10
P ₀	4.00±0.10
P ₂	2.00±0.10
D ₀	∅1.50±0.10
D ₁	∅2.00Min
T	0.50±0.05
S ₀	40.40±0.10
A ₀	13.10±0.10
B ₀	25.80±0.10
K ₀	12.40±0.10

NOTES:

- 1.10 SPROCKET HOLE PITCH CUMULATIVE TOLERANCE +/-0.20MM.
- 2.CARRIER CAMBER NOT TO EXCEED 1MM IN 100MM.
- 3.A0 AND B0 MEASURED ON A PLANE 0.3MM ABOVE THE BOTTOM OF THE POCKET.
- 4.K0 MEASURED FROM A PLANE ON THE INSIDE BOTTOM OF THE POCKET TO THE TOP SURFACE OF THE CARRIER.
- 5.ALL DIMENSIONS MEET EIA-481-D REQUIREMENTS.
- 6.MATERIAL: BLACK STATIC-DISSIPATIVE PS.
- 7.UNLESS OTHERWISE STATED:.X +/-0.10 ANGLES: +/-1.
- 8.SURFACE RESISTANCE : >=10⁴ AND < 10¹¹ OHMS
- 9.FOR HAZARDOUS SUBSTANCES ACCEPTANCE LEVEL AND TESTING METHOD REFER TO 970-006034-0000,ITEM7.

P/N SUFFIX	REVISION	ECD NO.	REVISION DESCRIPTION	DATE	REVISED BY	APPROVED BY
0000	AB	8042283	CORRECT THE MATERIAL FROM POLYESTER TO PS	11/13/14	NAIL PENG	
0000	AA	NA	RELEASE TO MFG	10/06/14	NAIL PENG	CHRIS CHEN

SHEET REVISION HISTORY

	Drawn to ISO STANDARDS	Unless Stated Otherwise	
	Tolerancing ISO 8015	General tolerances ISO 2768-mK	Units LENGTH:mm ANGLE:DEG
Material SEE NOTES		Treatment SEE NOTES	
Created by NAIL PENG		Approved by CHRIS CHEN	
		Dept. MECH	
Title, Supplementary title LGA100PB-01DADJJ PKG,T&R,CXR TP		Document type DRAWING	
The Artesyn Embedded Technologies logo is a trademark of Artesyn Technologies, Inc.		Document status	
		658-007167-0000	
Rev. AB	Date of issue 11/13/14	Lang. EN	Sheet 1 of 1